



US0D1015219S

(12) **United States Design Patent** (10) **Patent No.: US D1,015,219 S**
Groeneweg (45) **Date of Patent: ** Feb. 20, 2024**

- (54) **MOBILE BARRIER**
- (71) Applicant: **Concaten, Inc.**, Golden, CO (US)
- (72) Inventor: **Kevin K. Groeneweg**, Golden, CO (US)
- (73) Assignee: **Concaten, Inc.**, Golden, CO (US)
- (**) Term: **15 Years**
- (21) Appl. No.: **29/682,349**
- (22) Filed: **Mar. 4, 2019**

- 2006/0044816 A1* 3/2006 Groeneweg E01F 15/148
340/431
- 2009/0166998 A1* 7/2009 Groeneweg E01F 15/148
256/13.1
- 2010/0219611 A1* 9/2010 Groeneweg E01F 15/145
280/482
- 2011/0163517 A1* 7/2011 Groeneweg F41H 11/13
280/789
- 2015/0225913 A1* 8/2015 Groeneweg B66C 23/36
404/6
- 2019/0040597 A1* 2/2019 Groeneweg E01F 15/00
- 2022/0025593 A1* 1/2022 Groeneweg E01F 13/02

Related U.S. Application Data

- (63) Continuation of application No. 15/948,959, filed on Apr. 9, 2018, now Pat. No. 10,240,308.
- (51) **LOC (14) Cl.** **12-10**
- (52) **U.S. Cl.**
USPC **D12/101**
- (58) **Field of Classification Search**
USPC D12/93, 95, 96, 97, 98, 99, 101, 102,
D12/103, 104, 105, 106; D15/10, 33
CPC E01F 15/00; E01F 15/145; E01F 15/148;
E01F 13/02; B60P 3/066; F41H 11/13;
B66C 23/36
See application file for complete search history.

References Cited

U.S. PATENT DOCUMENTS

- D422,534 S * 4/2000 Hellhake D12/96
- D425,826 S * 5/2000 Hellhake D12/96
- D623,092 S * 9/2010 Beigel D12/96
- D653,994 S * 2/2012 Fukushima D12/96
- 9,527,539 B1 * 12/2016 Hellbusch B60P 3/066
- RE46,576 E * 10/2017 Oren D12/101
- D801,874 S * 11/2017 Warren D12/101
- RE46,645 E * 12/2017 Oren D12/101
- D805,430 S * 12/2017 Strong D15/33
- D871,268 S * 12/2019 Groeneweg D12/106
- D898,777 S * 10/2020 Lorenz D15/10

OTHER PUBLICATIONS

Youtube.com. "2008 Isuzu FTR 6 Yard Single Axle Dump Truck" Uploaded Jun. 7, 2016. Retrieved Oct. 16, 2022. (https://www.youtube.com/watch?v=8b30bOWZ_uQ) (Year: 2016).*

* cited by examiner

Primary Examiner — Susan E Krakower

Assistant Examiner — Jerry Shiuang-Hua Hsu

(74) *Attorney, Agent, or Firm* — Carl A. Hjort, III

(57) **CLAIM**

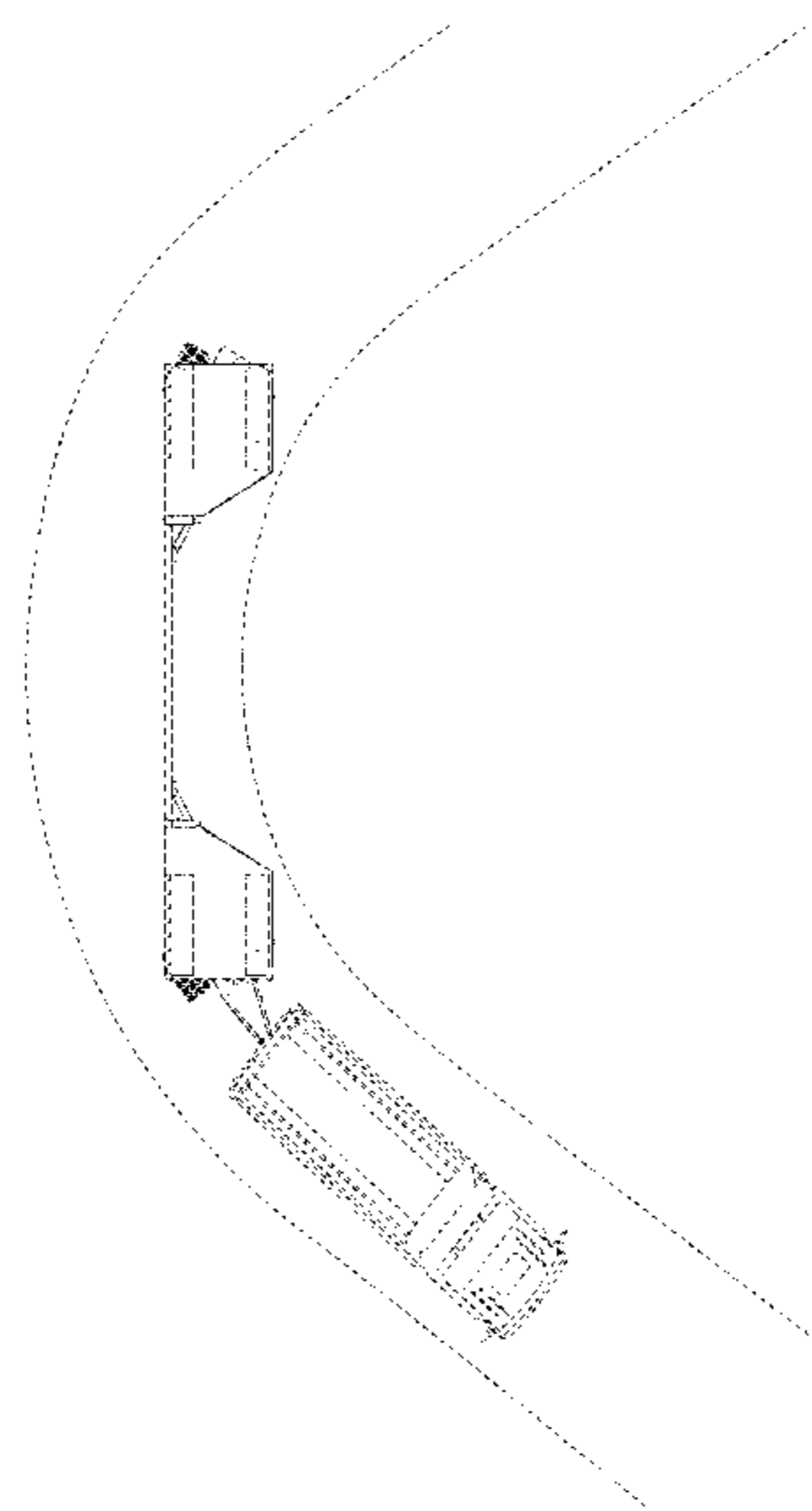
The ornamental design for a mobile barrier, as shown and described.

DESCRIPTION

FIG. 1 is a top view of a mobile barrier showing my design; FIG. 2 is a left side view of a mobile barrier; FIG. 3 is a right side view of a mobile barrier; FIG. 4 is a top perspective view of a mobile barrier; and, FIG. 5 is a rear view of a mobile barrier.

The broken lines illustrating portions of the mobile barrier, form no part of the claimed design. The broken lines depicting a truck, hitch components and street lines, show environmental structure, which forms no part of the claimed design.

1 Claim, 5 Drawing Sheets



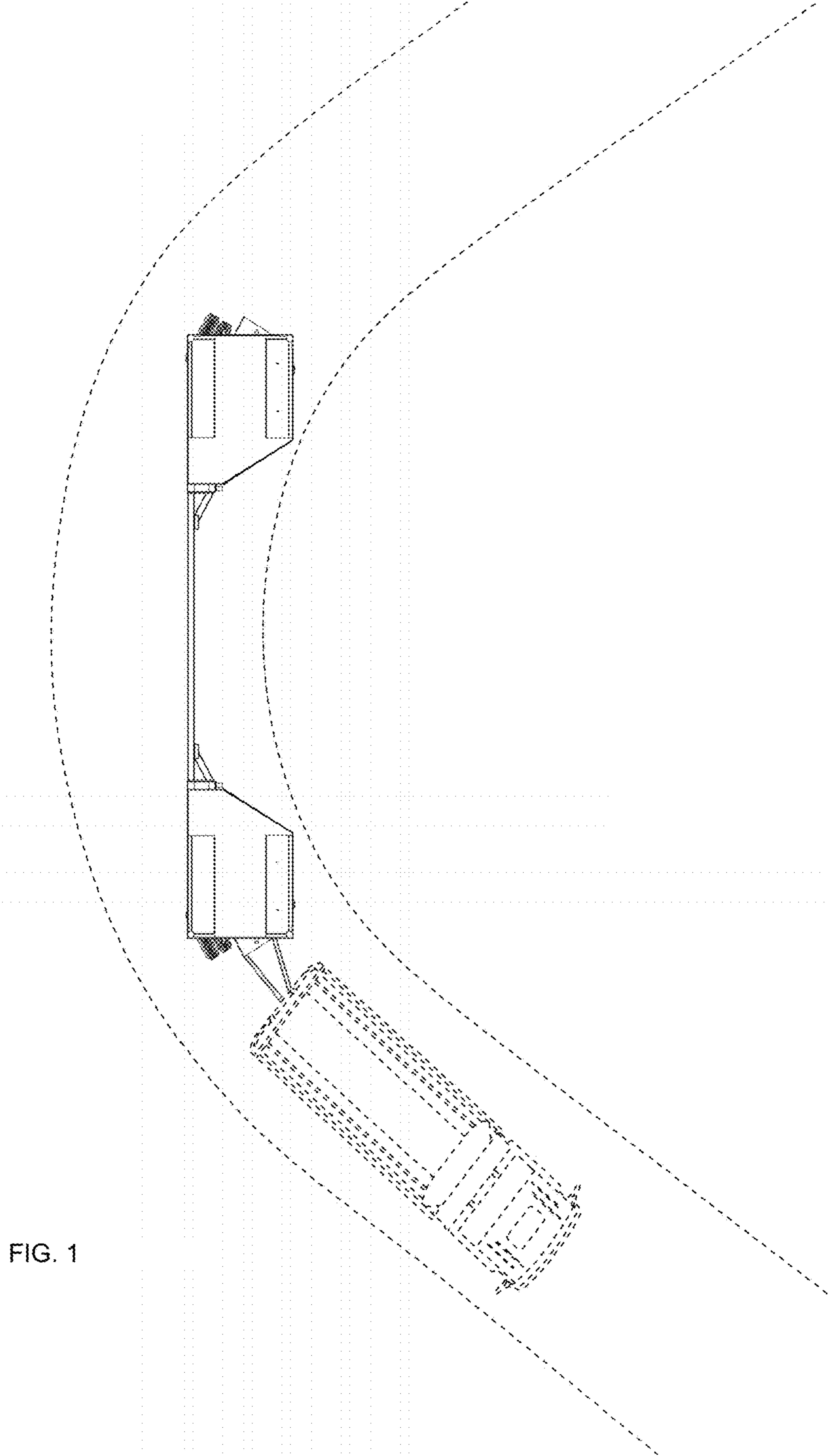


FIG. 1

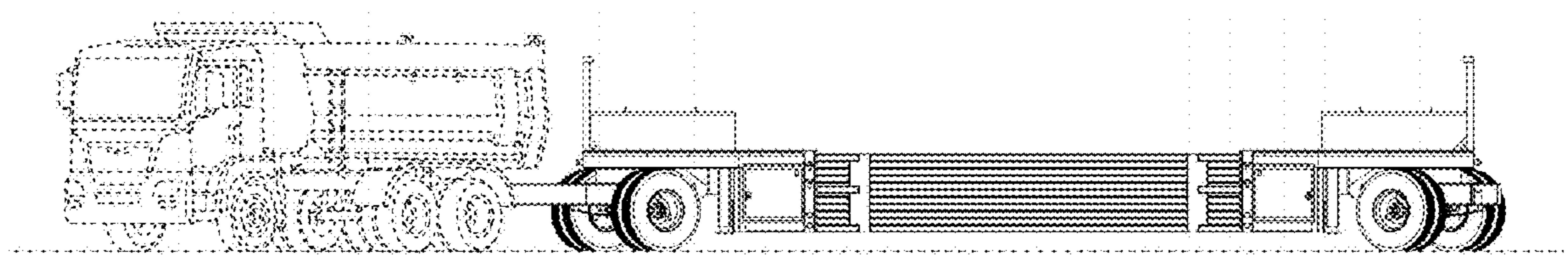


FIG. 2

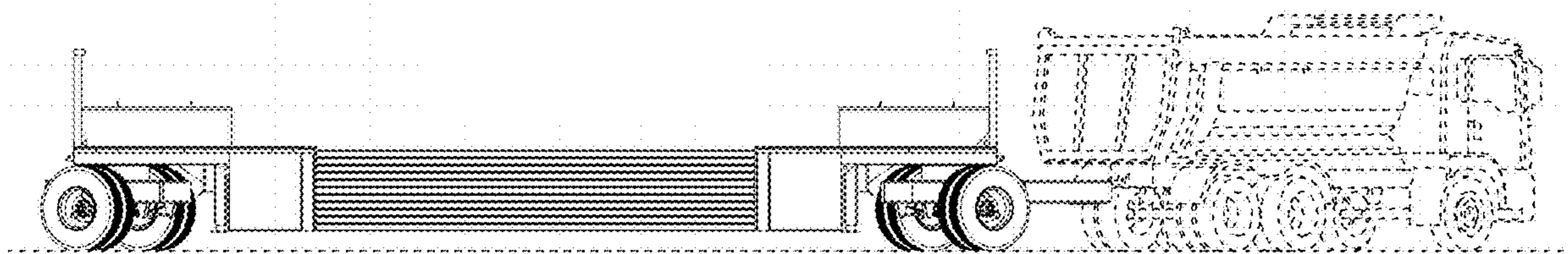


FIG. 3

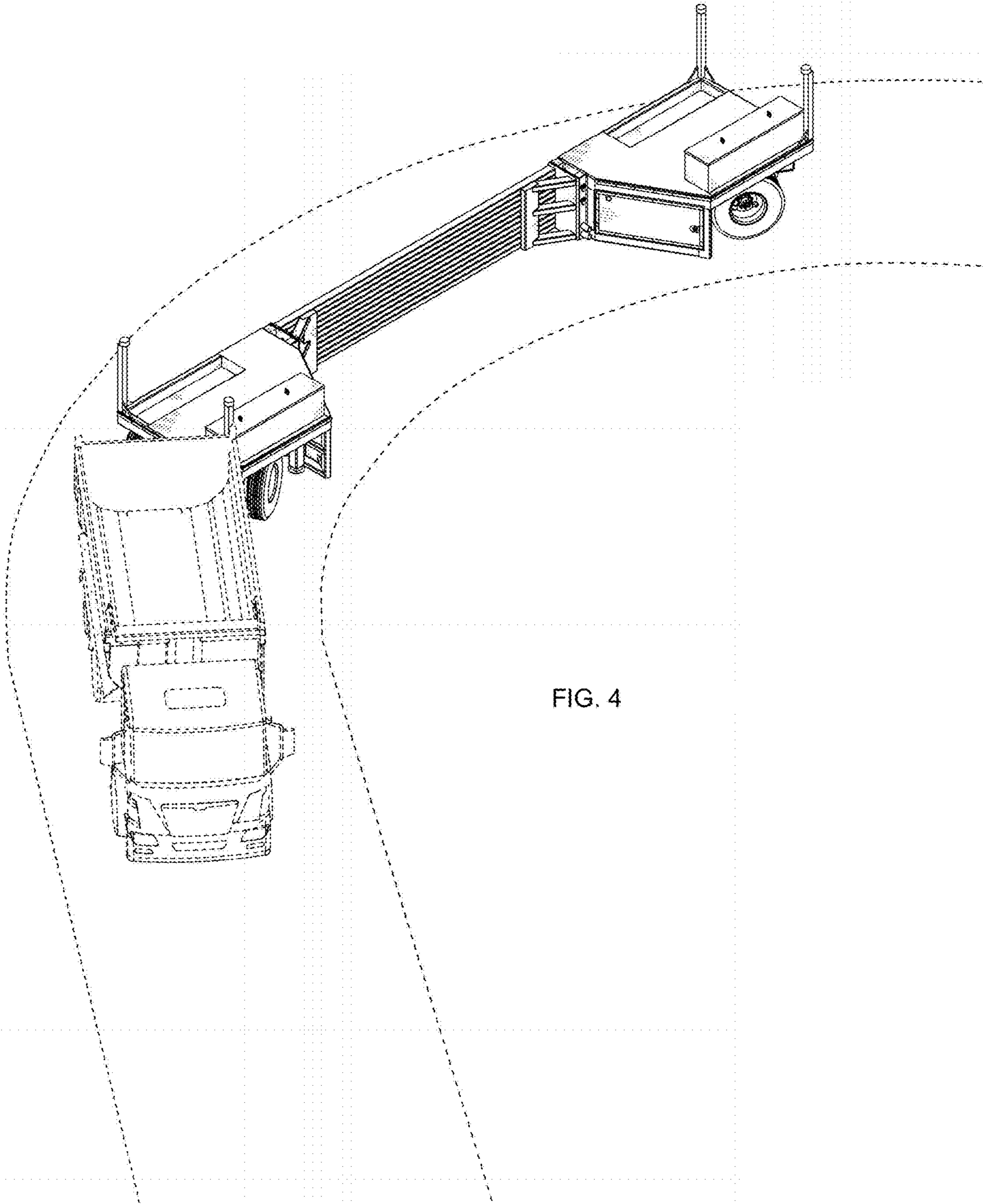


FIG. 4

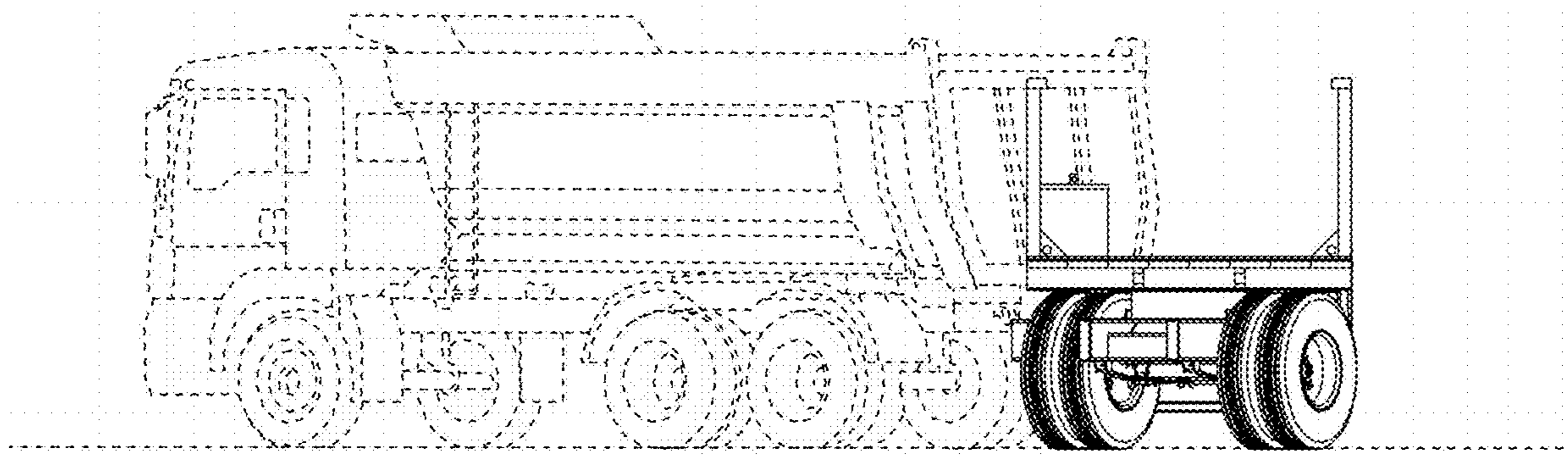


FIG. 5